

**Wicomico County Purchasing Department  
125 N. Division Street, Room B-3  
Salisbury, Maryland 21801**



**INVITATION FOR BID**

**PROJECT:** Black Ceiling Tiles for Arena

**DEPARTMENT:** Wicomico Youth & Civic Center

**VENDOR:**

**NAME:** \_\_\_\_\_

**ADDRESS:** \_\_\_\_\_  
\_\_\_\_\_  
\_\_\_\_\_

**BID OPENING:**

**DATE:** Wednesday, June 30, 2021

**TIME:** 2:30pm

**TABLE OF CONTENTS**

**SECTION I: INTRODUCTION**.....3

- A. **PURPOSE** .....3
- B. **CLARIFICATION OF TERMS**.....3
- C. **QUESTIONS AND INQUIRES** .....3
- D. **FILLING OUT BID DOCUMENTS**.....3
- E. **SUBMISSION OF BID DOCUMENTS**.....3
- F. **OPENING OF BIDS**.....4
- G. **ACCEPTANCE OR REJECTION OF BIDS** .....4
- H. **QUALIFICATIONS**.....5
- I. **DESCRIPTIVE LITERATURE** .....5
- J. **NOTICE TO VENDORS** .....6
- K. **PIGGYBACKING**.....6

**SECTION II: GENERAL INFORMATION**.....7

- A. **ECONOMY OF BID** .....7
- B. **PUBLIC INFORMATION ACT (PIA)** .....7
- C. **CONTRACT AWARD**.....7
- D. **AUDIT** .....7
- E. **NONPERFORMANCE**.....7
- F. **MODIFICATION OR WITHDRAWL OF BID** .....8
- G. **DEFAULT** .....8
- H. **COLLUSION/FINANCIAL BENEFIT** .....8
- I. **TAX EXEMPTION** .....8
- J. **CONTRACT CHANGES**.....9
- K. **ADDENDUM** .....9
- L. **EXCEPTIONS/ SUBSTITUTIONS** .....9
- M. **APPROVED EQUALS** .....10
- N. **DELIVERY** .....10
- O. **INSURANCE** .....10
- P. **BID EVALUATION**.....10

**SECTION III: BID SPECIFICATIONS** .....11

- A. **SCOPE**.....11
- B. **PRICING**.....11
- C. **SUMMARY**.....11
- D. **GENERAL REQUIREMENTS**.....11
- E. **ATTACHMENTS**.....11
- F. **DELIVERY** .....11
- G. **PAYMENT**.....11
- H. **QUESTIONS**.....11
- I. **AWARD** .....11

**FORM OF BID** .....12

**REFERENCES** .....13

**EXCEPTIONS** .....14

**INDIVIDUAL PRINCIPAL** .....15

**VENDOR’S AFFIDAVIT OF QUALIFICATION TO BID** .....16

**NON-COLLUSIVE AFFIDAVIT** .....17

**EXHIBIT A** .....18

## SECTION I: INTRODUCTION

### A. PURPOSE

1. The purpose of this Invitation for Bid Document is for Wicomico County (“County”) to purchase eight-hundred (800) Total Quantity of Armstrong Fine Fissured 1729 Black Ceiling Tiles, or approved equal, to be used at the Wicomico Youth & Civic Center, in conformity with the requirements contained herein (“Bid Document(s”).

### B. CLARIFICATION OF TERMS

1. Professional firms or individuals that submit a bid for award of a contract (“Contract”) are referred to as vendors (“Vendors”) in this document. The Vendor that is awarded the Contract is herein referred to as the (“Successful Vendor”).

### C. QUESTIONS AND INQUIRES

1. Questions must be addressed in writing to Wicomico County Purchasing at [purchasing@wicomicocounty.org](mailto:purchasing@wicomicocounty.org).
2. The last date to submit questions for clarification will be **noon on Tuesday, June 22, 2021**.
3. Addenda are posted on the County website at [www.wicomicocounty.org](http://www.wicomicocounty.org) under Government: Departments: Purchasing: at [www.wicomicocounty.org/bids.aspx](http://www.wicomicocounty.org/bids.aspx) at least five (5) calendar days before bid opening.
4. It is the Vendors responsibly to make sure all addenda are acknowledged in their bid. Failure to do so could result in the bid being disqualified.

### D. FILLING OUT BID DOCUMENTS

1. Use only forms supplied by the County.
2. One (1) unbound original and two (2) bound copies of the bid form and any required attachments must be submitted in the solicitation and can be submitted in the same envelope unless otherwise instructed.
3. Bid Documents should be compiled as follows: (1) Cover letter, (2) Form of Bid, (3) References, (4) Exceptions Document and Signed addenda, if necessary (5) Individual Principal Document, (6) Vendor’s Affidavit of Qualification to Bid, and (7) Non-Collusive Affidavit
4. Where so indicated by the make-up of the Bid Documents, sums will be expressed in both words and figures, and in the case of a discrepancy between the two, the amount written in words will govern. In the event there is a discrepancy between the unit price and the extended totals, the unit prices will govern.
5. Any interlineation, alteration, or erasure will be initialed by the signer of the Bid Documents.
6. Each copy of the Bid Documents will be signed by the person(s) legally authorized to bind the Vendor to a contract, using the legal name of the signer. Bid Documents submitted by an agent will have a current Power of Attorney attached certifying the agent’s authority to bind the Vendor.
7. Vendor will supply all information and submittals required by the Bid Documents to constitute a proper and responsible completed Bid Document package.
8. Any ambiguity in the Bid Documents as a result of omission, error, lack of clarity or non-compliance by the Vendor with specifications, instructions, and/or all conditions of bidding will be construed in the light most favorable to the County.

### E. SUBMISSION OF BID DOCUMENTS

1. All copies of the Bid Documents and any other documents required to be submitted with the Bid Documents will be enclosed in a sealed envelope. The envelope will be addressed to the Wicomico County Purchasing Department and will be identified with the project name: **BLACK CEILING TILES FOR ARENA** and the Vendor's name and address. If the Bid Documents are sent by mail, the sealed envelope will be enclosed in a separate mailing envelope with the notation "SEALED BID DOCUMENTS ENCLOSED" on the face thereof.
2. Bids must be mailed or hand carried to Wicomico County Purchasing Department, 125 N. Division Street, Government Office Building, Room B-3, Salisbury, MD 21801, in order to be received in the office of the Purchasing Agent **prior** to the announced bid deadline. *Bids received after said time or delivered to the wrong location will be returned to the Vendor unopened.*
3. **Bids are due and will be opened at the time listed on the front of this Bid Document.**
4. If you are delivering a bid in person please keep in mind to allow time to sign-in at the security station in the lobby. It is fully the responsibility of the Vendor to insure that the bid is received on time.
5. The County will not speculate as to reasonableness of the postmark, nor comment on the apparent failure of a public carrier to have made prompt delivery of the bid.
6. Vendors, or their authorized agents, are expected to fully inform themselves as to the conditions, requirements, and specifications before submitting Bid Documents; failure to do so will be at the Vendor's own risk.
7. A fully executed Affidavit of Qualification to Bid will be attached to each Bid Document.
8. **MINORITY VENDORS ARE ENCOURAGED TO PARTICIPATE.**
9. All Vendor submitted Bid Documents will be valid for a minimum of sixty (60) days from the date of Bid Document opening.
10. Electronically mailed bids are **not** considered sealed bids and will **not** be accepted.

**F. OPENING OF BIDS**

1. Bid Documents received on time will be opened publicly and Vendor's names and total costs will be read aloud for the record.
2. The Contract will be awarded or all Bid Documents will be rejected within sixty (60) days from the date of the Bid Document opening.

**G. ACCEPTANCE OR REJECTION OF BIDS**

1. Unless otherwise specified, the Contract will be awarded to the most RESPONSIBLE and RESPONSIVE Vendor complying with the provisions of the Bid Documents, provided the Bid price is reasonable, does not exceed the funds available, and it is in the best interest of the County to accept it. The County reserves the right to reject the Bid Documents of any Vendor who has previously failed to perform properly in any way or complete on time contracts of a similar nature; or a Bid Document from a Vendor who, investigation shows, is not in a position to perform the Contract; or Bid Documents from any person, firm, or corporation which is in arrears or in default to the County for any debt or contract.
2. Completed Bid Documents from Vendors debarred from doing business with the State of Maryland or the Federal Government will not be accepted.
3. In determining a Vendor's RESPONSIBILITY, the County may consider the following qualifications, in addition to price:

- a. Ability, capacity, and skill to provide the commodities or services required within the specified time, including future maintenance and service, and including current financial statement or other evidence of pecuniary resources and necessary facilities.
  - b. Character, integrity, reputation, experience and efficiency.
  - c. Quality of past performance on previous or existing contracts, including a list of current and past contracts and other evidence of performance ability.
  - d. Previous and existing compliance with laws and ordinances relating to contracts with the County and to the Vendor's employment practices.
  - e. Evidence of adequate insurance to comply with Contract terms and conditions.
  - f. Statement of current work load and capacity to perform/provide the Goods and/or Services.
  - g. Explanation of methods to be used in fulfilling the Contract.
  - h. The Vendor, if requested, will be prepared to supply evidence of its qualifications, listed above, and its capacity to provide/perform the Goods and/or Services; such evidence to be supplied within a specified time and to the satisfaction of the County.
4. In determining a Vendor's RESPONSIVENESS, the County will consider whether the Bid Document conforms in all material respects to the Bid Documents. The County reserves the right to waive any irregularities that may be in its best interest to do so.
  5. The County will have the right to reject any and all Bid Documents, where applicable to accept in whole or in part, to add or delete quantities, to waive any informalities or irregularities in the Bid Document received, to reject a Bid Document not accompanied by required Bid security or other data required by the Bid Documents, and to accept or reject any Bid Document which deviates from specifications when in the best interest of the County. Irrespective of any of the foregoing, the County will have the right to award the Contract in its own best interests.

#### **H. QUALIFICATIONS**

1. The Vendor must be in compliance with the laws regarding conducting business in the State of Maryland.  
All Vendors shall provide a copy Certificate of Status from the Maryland Department of Assessments and Taxation, evidencing the Vendor is in good standing with the State of Maryland. See [https://sdatcert1.resiusa.org/certificate\\_net/](https://sdatcert1.resiusa.org/certificate_net/) for information on obtaining the Certificate of Status. *Certificates of status are not available for trade names, name reservations, government agencies, sole proprietorships, and some other accounts as these are not legal entities and thus are not required for these categories of Vendors.* For more information on the Certificate of Status please see <http://www.dat.state.md.us/sdatweb/COSinfo.html> .
2. Wicomico County reserves the right, at its sole discretion, to extend the date this documentation must be provided. The Vendor's inability to provide this documentation could result in the bid being rejected.
3. All Vendors who wish to bid on County projects and contracts need to register as a bidder at [www.wicomicocounty.org/list.aspx?Mode=Subscribe#bids](http://www.wicomicocounty.org/list.aspx?Mode=Subscribe#bids) by checking off the categories for which you wish to be informed of future bids.

#### **I. DESCRIPTIVE LITERATURE**

1. The proposed descriptive literature fully describing the product bid is what is intended to be included as the price. Failure to do so may be cause for rejection of the bid.

2. Any items, systems or devices supplied in this bid that are proprietary in nature relative to maintenance, repair, servicing or updating must be disclosed on the bid form.

**J. NOTICE TO VENDORS**

1. Before a Vendor submits the Bid Documents it will need to become fully informed as to the extent and character of the Goods and/or Services required and are expected to completely familiarize themselves with the requirements of this Bid Document's specifications. Failure to do so will not relieve the Vendor of the responsibility to fully perform in accordance therewith. No consideration will be granted for any alleged misunderstanding of the material to be furnished or the Services to be performed, it being understood that the submission of a Bid Document is an agreement with all of the items and conditions referred to herein.

**K. PIGGYBACKING**

1. Wicomico County may authorize, upon request, any governmental entity (hereafter Authorized User) within the County to purchase items under the contract awarded pursuant to this bid solicitation.
2. All purchase orders issued against the contract by an authorized User shall be honored by the Successful Vendor in accordance with all terms and conditions of this contract.
3. The issuance of a purchase order by an Authorized User pursuant to this provision shall constitute an express assumption of all contractual obligations, covenants, conditions and terms of the contract. A breach of the contract by any particular Authorized User shall neither constitute nor be deemed a breach of the contract as a whole which shall remain in full force and effect, and shall not affect the validity of the contract nor the obligations of the Successful Vendor thereunder respecting the County.
4. The County specifically and expressly disclaims any and all liability for any breach by an Authorized User other than the County and each such Authorized User and Successful Vendor guarantee to save the County, its officers, agents and employees harmless from any liability that may be or is imposed by the Authorized User's failure to perform in accordance with its obligations under the contract.

**END OF SECTION**

## **SECTION II: GENERAL INFORMATION**

### **A. ECONOMY OF BID**

1. Bid Documents will be prepared simply and economically, providing straightforward and concise description of the Vendor's capabilities to satisfy the requirements of the Bid Documents. Emphasis should be on completeness and clarity of content. Elaborate brochures and other representations beyond that sufficient to present a complete and effective Bid Document are neither required nor desired.

### **B. PUBLIC INFORMATION ACT (PIA)**

1. Wicomico County is subject to the Maryland Public Information Act and may be required to release bid submissions in accordance with the Act.
2. Any materials the Vendor deems to be proprietary or copyrighted must be marked as such; however, the material may still be subject to analysis under the Maryland Public Information Act.
  - a. The Vendor may invoke proprietary information or trade secret protection for submission of any data/material by (1) identifying the data/material in a written description, (2) clearly marking the data/material as proprietary, and (3) providing a written statement detailing the reasons why protection is necessary. The County reserves the right to ask for additional clarification prior to establishing protection.

### **C. CONTRACT AWARD**

1. A written award by the County to the Successful Vendor in the form of a Purchase Order or other contract document will result in a binding Contract without further action by either party. If the Successful Vendor fails or refuses to sign and deliver the Contract and the required insurance documentation, the County will have the right to award to the next responsible and responsive Vendor. Contract will be executed by the Successful Vendor within fourteen (14) calendar days of receipt of the Contract.
2. Bid Documents and Contracts issued by the County will bind the Vendor to applicable conditions and requirements herein set forth, unless otherwise specified in the Bid Documents, and are subject to all federal, state, and municipal laws, rules, regulations, and limitations.
3. County personal property taxes ("Taxes") must be on a current basis; if any such Taxes are delinquent, they must be paid before award of Contract. Failure to pay will result in the award of Contract to another Vendor.
4. The County reserves the right to engage in individual discussions and interviews with those Vendors deemed fully qualified, responsible, suitable and professionally competent to provide the required Goods and/or Services should the project size warrant it. Vendors will be encouraged to elaborate on their qualifications, performance data, and staff expertise.

### **D. AUDIT**

1. The Successful Vendor agrees to retain all books, records, and other documents relative to the awarded Contract for five (5) years after final payment, or until audited. The County, its authorized agents, and/or State auditors will have full access to and the right to examine any of said materials during said period.

### **E. NONPERFORMANCE**

1. The County reserves the right to inspect all operations and to withhold payment for any goods not performed or not performed in accordance with the specifications in this Bid Document. Errors, omissions or mistakes in performance will be corrected at no cost to the County. Failure to do so

will be cause for withholding of payment for that Goods and/or Services. In addition, if deficiencies are not corrected in a timely manner, the County may characterize the Successful Vendor as uncooperative, which may jeopardize future project order solicitations.

**F. MODIFICATION OR WITHDRAWAL OF BID**

1. A Bid Document may not be modified, withdrawn, or cancelled by the Vendor during the stipulated time period following the time and date designated for the receipt of Bid Documents, and each Vendor so agrees in submitting Bid Documents.

**G. DEFAULT**

1. The Contract may be cancelled or annulled by the County in whole or in part by written notice of default to the Successful Vendor upon non-performance, violation of Contract terms, delivery failure, bankruptcy or insolvency, any violation of state or local laws, or the making of an assignment for the benefit of creditors. An award may then be made to the next most highly rated Vendor, or when time is of the essence, similar commodities and/or service may be purchased on the open market. In either event, the defaulting Vendor (or his surety) will be liable to the County for cost to the County in excess of the defaulted Contract price.
2. If a representative or warranty of either Party to the Contract is false or misleading in any material respect, or if either Party breaches a material provision of the Contract (“Cause”), the non-breaching Party will give the other Party written notice of such cause. If such Cause is not remedied within fifteen (15) calendar days (“Cure Period”) after receipt of such notice, (unless, with respect to those Causes which cannot be reasonably corrected or remedied within the Cure Period, the breaching Party will have commenced to correct or remedy the same within such Cure Period and thereafter will proceed with all due diligence to correct or remedy the same), the Party giving notice will have the right to terminate this Contract upon the expiration of the Cure Period.

**H. COLLUSION/FINANCIAL BENEFIT**

1. The Vendor certifies that his/her Bid is made without any previous understanding, agreement, or connection with any person, firm, or corporation making a Bid Document for the same project; without prior knowledge of competitive prices; and is in all respects fair, without outside control, collusion, fraud, or otherwise illegal action.
2. Upon signing the Bid Document, Vendor certifies that no member of the governing body of the County, or members of his/her immediate family, including spouse, parents or children, or any other officer or employee of the County, or any member or employee of a Commission, Board, or Corporation controlled or appointed by the Executive or Council has received or has been promised, directly or indirectly, any financial benefit, related to this Bid Document and subsequent Contract.

**I. TAX EXEMPTION**

1. In buying products directly from a Vendor Wicomico County is exempt from being *directly* charged Federal excise and Maryland sales tax. A copy of an exemption certificate shall be furnished upon request.
2. According to the Office of the Comptroller of Maryland, a *Contractor is responsible for paying sales tax* on his/her purchases relating to any projects or services and should incorporate it into their bid.
3. Successful Vendors cannot use the County tax exemption to buy materials or products used on County projects.



**J. CONTRACT CHANGES**

1. NO CLAIMS may be made by anyone that the scope of the project or that the Vendor's Goods and/or Services have been changed (requiring changes to the amount of compensation to the Vendor or other adjustments to the Contract) UNLESS such changes or adjustments have been made by an approved WRITTEN AMENDMENT (Change Order) to the Contract signed by the Purchasing Agent (and the County Council, if required), prior to additional Goods and/or Services being initiated. Extra Goods and/or Services performed without prior, approved, written authority will be considered as unauthorized and at the expense of the Vendor. Payment will not be made by the County.
2. NO ORAL conversations, agreements, discussions, or suggestions, which involve changes to the scope of the Contract, made by anyone including any County employee, will be honored or valid. No written agreements or changes to the scope of the Contract made by anyone other than the Purchasing Agent (with County Council approval, if required) will be honored or valid.
3. If any Change Order in the Goods and/or Services results in a reduction in the Goods and/or Services, the Vendor will neither have, nor assert any claim for, nor be entitled to any additional compensation for damages or for loss of anticipated profits on Goods and/or Services that are eliminated.

**K. ADDENDUM**

1. No oral statements of any person will modify or otherwise affect or interpret the meaning of the Contract specifications, or the terms, conditions, or other portions of the Contract. All modifications and every request for any interpretation must be addressed to the Wicomico County's Purchasing Agent and to be given consideration, must be received no later than the last day for questions listed in Section I, Subsection C.2.
2. Any and all interpretations, corrections, revisions, and amendments will be issued by the Purchasing Agent to all holders of Bid Documents in the form of written addenda. Vendors are cautioned that any oral statements made by any County employee that materially change any portion of the Bid Documents will not be relied upon unless subsequently ratified by a formal written amendment to the Bid Document.
3. All addenda will be issued so as to be received at least five (5) days prior to the time set for receipt of Bid Documents, and will become part of the Contract and will be acknowledged in the Bid Document form. Failure of any Vendor to receive any such addenda will not relieve said Vendor from any obligation under the Bid Document as submitted.
4. Vendors are cautioned to refrain from including in their Bid Document any substitutions which are not confirmed by written addenda. To find out whether the County intends to issue an amendment reflecting an oral statement made by any employee, contact the Wicomico County's Purchasing Agent during normal business hours.
5. The Wicomico County Purchasing Agent reserves the right to postpone the Bid Document opening for any major changes occurring in the 5-day interim which would otherwise necessitate an Addendum.

**L. EXCEPTIONS/ SUBSTITUTIONS**

1. Any exceptions or substitutions to the specifications requested should be marked on the bid form and listed on a separate sheet of paper attached to the bid.
2. An exception to the specifications may disqualify the bid. The County will determine if the exception is an essential deviation or a minor item.

3. In the case of a minor deviation, the County maintains the option to award to that Vendor if it determines the performance is not adversely affected by the exception.

**M. APPROVED EQUALS**

1. In all specifications where a material or article is defined by describing a proprietary product or by using the name of a Vendor or manufacturer, it can be assumed that an approved equal can be substituted.
2. The use of a named product is an attempt to set a particular standard of quality and type that is familiar to the County. Such references are not intended to be restrictive.
3. However, the County shall decide if a product does in fact meet or exceed the quality of the specifications listed in the solicitation. It shall be the responsibility of the Vendor that claims his product is an equal to provide documentation to support such a claim.

**N. DELIVERY**

1. All items shall be delivered F.O.B. destination and delivery costs and charges included in the bid unless otherwise stated in the specifications or bid form.

**O. INSURANCE**

1. If required by the General Conditions or Terms and Conditions, the Successful Vendor shall provide the County with Certificates of Insurance within ten (10) calendar days of bid award notification evidencing the required coverage.
2. Successful Vendor must provide Certificates of Insurance before commencing work in connection with the Contract.

**P. BID EVALUATION**

1. If some characteristic of the bid requires that the bid must be reviewed by the County Council, the award can be expected within thirty (30) calendar days.
2. Bid tabulations will be posted on the County website at [www.wicomicocounty.org/bids.aspx](http://www.wicomicocounty.org/bids.aspx) and click on the box Show Closed/Awarded/Cancelled Bids and find the bid tabulation for the bid you are interested in. Bid tabulations will be posted as soon as reasonably possible after the Bid opening.

**END OF SECTION**

## **SECTION III: BID SPECIFICATIONS**

### **A. SCOPE**

1. The County is seeking bids from qualified Vendors to purchase eight hundred (800) Armstrong Fine Fissured Black Ceiling Tiles, or approved equal, in accordance with the terms and conditions and specifications set forth in this solicitation.

### **B. PRICING**

1. Pricing must include all labor, shipping, materials, tools, and equipment to perform Work.

### **C. SUMMARY**

1. Please include pricing for eight-hundred (800) Total Quantity of Armstrong Fine Fissured: 1729 Black Ceiling Tiles, 2' x 4' x 5/8".
2. The tiles shall meet or exceed the attached Bid Specifications as outlined.
3. Ceiling Tiles, if not the ones specified, will be considered, if the County deems them as "approved equal".
4. The tiles shall be used by the owner to replace the existing Normandy Arena Ceiling Tiles.
5. It is important for the tile to meet the specifications with warranties.
6. The tile shall be mold/ mildew resistant surface and sag/ humidity resistant.

### **D. GENERAL REQUIREMENTS**

1. The Successful Vendor must be licensed to perform Work in the state of Maryland.

### **E. ATTACHMENTS**

1. Armstrong Tile Specification.

### **F. DELIVERY**

1. A delivery timeframe shall be noted on the Form of Bid.
2. Pricing should include delivery to the Wicomico Civic Center, 500 Glen Avenue, Salisbury, Maryland 21804.

### **G. PAYMENT**

1. The County will make payment(s) to the Successful Vendor within thirty (30) calendar days from the receipt of a proper invoice for delivered goods.

### **H. QUESTIONS**

1. The last day for questions is listed under Section I, Subsection C.2.

### **I. AWARD**

1. The County intends to award to the lowest Responsive and Responsible Vendor meeting the specifications.

**END OF SECTION**

**THIS AND PREVIOUS SECTIONS, OTHER THAN THE COVER PAGE, DO NOT NEED TO BE RETURNED WITH SUBMITTAL**

## FORM OF BID

To whom it may concern:

We hereby submit our Bid Documents for “BLACK CEILING TILES FOR ARENA” as indicated in the Bid Documents. Having carefully examined the Bid Documents and having received clarification on all items of conflict or upon which any doubt arose, the undersigned hereby requests consideration of our Vendor for award of the referenced Bid.

ITEM	DESCRIPTION	QTY	UNIT PRICE	EXTENDED PRICE
1	Armstrong Fine Fissured: 1729 Black Ceiling Tiles or Approved Equal, 2' x 4' x 5/8"	800		

Vendor agrees to make full Delivery within thirty (30) calendar days of Notice to Proceed. (Yes)\_\_\_\_ (No) \_\_\_\_\_ CHECK One.

Have you included your certificate of good standing with the State of Maryland? (See Section I, Subsection H.1 for more information.) (Yes)\_\_\_\_ (No) \_\_\_\_\_ CHECK One.

Is your company currently involved in any active litigation? (Yes)\_\_\_\_ (No) \_\_\_\_\_ CHECK One.

Is your company currently involved in any mergers or acquisitions? (Yes)\_\_\_\_ (No) \_\_\_\_\_ CHECK One.

The Vendor agrees that their bid will be good for at least sixty (60) days unless otherwise indicated in the bid specifications.

**NOTE: THIS BID FORM MUST BE SIGNED BY AN OFFICER OF YOUR COMPANY OR AN AUTHORIZED AGENT FOR THIS BID TO BE CONSIDERED VALID BY THE COUNTY.**

\_\_\_\_\_  
Sign for Identification

\_\_\_\_\_  
Printed Name

\_\_\_\_\_  
Title

\_\_\_\_\_  
Email

## REFERENCES

List three (3) references for which the Vendor has provided Goods/Services similar to those requested in the Bid Document within the last 12-36 months. Include contact name, address, telephone number, email address and services provided.

Company Name:		Company Name:	
Type of Project:		Type of Project:	
Address:		Address:	
Town, State, Zip Code:		Town, State, Zip Code:	
Contact Person:		Contact Person:	
Telephone Number:		Telephone Number:	
Email:		Email:	
Date of Service:		Date of Service:	
Company Name:			
Type of Project:			
Address:			
Town, State, Zip Code:			
Contact Person:			
Telephone Number:			
Email:			
Date of Service:			

\_\_\_\_\_  
Sign for Identification

\_\_\_\_\_  
Printed Name

## EXCEPTIONS

The undersigned hereby certifies that, except as listed below, or on separate sheets attached hereto, the enclosed Completed Bid Document covers all items as specified.

### EXCEPTIONS:

(If none, write NONE) \_\_\_\_\_

THE VENDOR HEREBY ACKNOWLEDGES RECEIPT OF THE FOLLOWING  
ADDENDA.

<u>Number</u>	<u>Date</u>	<u>Initials</u>
_____	_____	_____
_____	_____	_____
_____	_____	_____

\_\_\_\_\_  
Sign for Identification

\_\_\_\_\_  
Printed Name

**INDIVIDUAL PRINCIPAL**

Vendor Name: \_\_\_\_\_

Signed By: \_\_\_\_\_ In the presence of: \_\_\_\_\_

Address of Vendor: \_\_\_\_\_ Town, State, Zip \_\_\_\_\_

Telephone No.: \_\_\_\_\_ Fax: \_\_\_\_\_

\*\*\*\*\*

**CO-PARTNERSHIP PRINCIPAL**

Name of Co-Partnership: \_\_\_\_\_

Address: \_\_\_\_\_ Town, State, Zip

\_\_\_\_\_

Telephone No.: \_\_\_\_\_ Fax: \_\_\_\_\_

Signed By: \_\_\_\_\_ In the presence of: \_\_\_\_\_

Partner

Witness

Signed By: \_\_\_\_\_ In the presence of: \_\_\_\_\_

Partner

Witness

Signed By: \_\_\_\_\_ In the presence of: \_\_\_\_\_

Partner

Witness

\*\*\*\*\*

**CORPORATE PRINCIPAL**

Name of Corporation: \_\_\_\_\_

Address: \_\_\_\_\_ Town, State, Zip

\_\_\_\_\_

Telephone No.: \_\_\_\_\_ Fax: \_\_\_\_\_

\_\_\_\_\_

Signed By: \_\_\_\_\_ In the presence of: \_\_\_\_\_

President

Witness

Attest: \_\_\_\_\_

Corporate Secretary

Affix Corporate Seal

**VENDOR'S AFFIDAVIT OF QUALIFICATION TO BID**

I HEREBY AFFIRM THAT:

I, \_\_\_\_\_ am the \_\_\_\_\_  
(Printed Name) (title)  
and the duly authorized representative of the Vendor of  
\_\_\_\_\_ whose address is  
(name of corporation)

\_\_\_\_\_ and that I possess the legal authority to make this affidavit on behalf of myself and the Vendor for which I am acting.

Except as described in paragraph 3 below, neither I nor the above Vendor, nor to the best of my knowledge and of its officers, directors or partners, or any of its employees directly involved in obtaining contracts with the State or any county, bi-county or multi-county agency, or subdivision of the State have been convicted of, or have pleaded nolo-contendere to a charge of, or have during the course of an official investigation or other proceeding admitted in writing or under oath acts or omissions which constitute bribery, attempted bribery, or conspiracy to bribe under the provisions of Article 27 of the Annotated Code of Maryland or under the laws of any state or federal government (conduct prior to July 1, 1977 is not required to be reported).

(State "none" or, as appropriate, list any conviction, plea or admission described in paragraph 2 above, with the date, court, official or administrative body, the individuals involved and their position with the Vendor, and the sentence or disposition, if any.)

\_\_\_\_\_  
\_\_\_\_\_

I acknowledge that this affidavit is to be furnished to the County, I acknowledge that, if the representations set forth in this affidavit are not true and correct, the County may terminate any Contract awarded and take any other appropriate action. I further acknowledge that I am executing this affidavit in compliance with section 16D of Article 78A of the Annotated Code of Maryland, which provides that certain persons who have been convicted of or have admitted to bribery, attempted bribery or conspiracy to bribe may be disqualified, either by operation of law or after a hearing, from entering into contracts with the State or any of its agencies or subdivisions.

I do solemnly declare and affirm under the penalties of perjury that the contents of this affidavit are true and correct.

\_\_\_\_\_  
Sign for Identification

\_\_\_\_\_  
Printed Name



**NON-COLLUSIVE AFFIDAVIT**

\_\_\_\_\_ being first duly sworn,  
deposes and says that:

1. He/she is the \_\_\_\_\_, (Owner, Partner, Officer, Representative or Agent) of \_\_\_\_\_, the Vendor that has submitted the attached Bid Documents;
2. He/she is fully informed respecting the preparation and contents of the attached Bid Document and of all pertinent circumstances respecting such Bid Documents;
3. Such Bid Document is genuine and is not a collusive or sham Bid Document;
4. Neither the said Vendor nor any of its officers, partners, owners, agents, representatives, employees or parties in interest, including this affiant, have in any way colluded, conspired, connived or agreed, directly or indirectly, with any other Vendor, firm, or person to submit a collusive or sham Bid Document in connection with the Work for which the attached Bid Document has been submitted; or to refrain from bidding in connection with such Work; or have in any manner, directly or indirectly, sought by agreement or collusion, or communication, or conference with any Vendor, firm, or person to fix the price or prices in the attached Bid Document or of any other Vendor, or to fix any overhead, profit, or cost elements on the Bid Document price or the Bid Document price of any other Vendor, or to secure through any collusion, conspiracy, connivance, or unlawful agreement any disadvantage against (Recipient), or any person interested in the Work;
5. The price or prices quoted in the attached Bid Document are fair and proper and are not tainted by any collusion, conspiracy, connivance, or unlawful agreement on the part of the Vendor or any other of its agents, representatives, owners, employees or parties in interest, including this affiant.

Signed, sealed and delivered in the presence of:

\_\_\_\_\_  
Witness

\_\_\_\_\_  
Witness

By: \_\_\_\_\_  
Signature

\_\_\_\_\_  
Printed Name

\_\_\_\_\_  
Title

## EXHIBIT A

### WICOMICO COUNTY MARYLAND STANDARD TERMS AND CONDITIONS

The provisions below are applicable to all Wicomico County ("County") contracts. These provisions are not a complete agreement. The provisions must be attached to an executed document that identifies the work to be performed, compensation, term, incorporated attachments, and any special conditions.

This document and the Contract are intended to be complementary. If the terms and conditions and the Contract conflict, then these Standard Terms and Conditions will prevail.

The term "Contract" includes a document entitled "agreement" or other title denoting a contract. The Wicomico County Executive is the person authorized to enter contracts for Wicomico County.

**Amendment.** This Contract is the entire agreement between the parties. All other prior communications related to this Contract are superseded by this Contract. No amendment to this Contract is binding unless in writing and signed by the parties.

**Bankruptcy.** Upon the filing of a bankruptcy proceeding by or against the Contractor or upon the appointment of a receiver, trustee, or assignee for the benefit of creditors:

- A. The Contractor must notify the County immediately; and
- B. The County may cancel the Contract or affirm the Contract and hold the Contractor responsible for damages.

**Compliance with Law.** The Contractor warrants that:

- A. The executed Contract will be a valid obligation enforceable in accordance with its terms;
- B. Contractor will perform in a workmanlike manner and in accordance with applicable professional standards;
- C. Contractor is qualified to do business in the State of Maryland and that it will remain qualified;
- D. Contractor is not behind in the payment of any obligations due to the County and that it will not become behind during the term of this Contract;
- E. Contractor will comply with all applicable federal, State, local laws, regulations, and ordinances; and
- F. Contractor will obtain, at its expense, all licenses, permits, insurance, and governmental approvals needed to perform its obligations under this Contract.

**Contingent Fee Prohibition.** The Contractor warrants that it has not directed anyone, other than its employee or agent, to solicit this Contract and that it has not promised to pay anyone a commission, percentage, brokerage fee, contingent fee, or other consideration contingent on the making of this Contract.

**Counterparts and Signature.** This Contract may be executed in several counterparts, each of which may be an original and all of which will constitute the same instrument. Unless otherwise specified by the County, this Contract may be signed in writing or by electronic signature, including by email. An electronic signature, a facsimile copy, or computer image of this Contract will have the same effect as an original signed copy.

**Force Majeure.** The performance of this agreement by either party is subject to acts of God, government authority, disaster, epidemic or other emergencies, fire, or riot, any of which make it illegal or impossible to provide the goods, facilities and/or services to be provided by a party under this contract. If one or more of such circumstances occur, then performance under this agreement may be delayed or terminated for any one or more of such reasons by written notice from one party to the other, in which case, neither party shall have any liability to the other, including any direct, consequential, compensatory, special, incidental, liquidated or other damages of any nature whatsoever, by reason of such delay or termination.

**Governing Law.** This Contract is governed by the laws of the State of Maryland and Wicomico County.

**Indemnification.** The Contractor will indemnify the County, its officers, agents, and employees from all liability, penalties, costs, losses, damages, expenses, causes of action, claims, or judgments (including Attorney's fees) resulting from injury to or death of any person or damage to property of any kind, which injury, death, or damage arises out of, or is in any way connected with the performance of the work or failure to perform its obligations under this Contract.

This obligation applies to any acts, omissions, or negligent conduct, including acts or omissions of Contractor's agents or employees, except that it is not applicable to injury, death, or damage to the property arising from the sole negligence of Wicomico County, its officers, agents, or employees.

**Independent Contractor.**

- A. Contractor is an "Independent Contractor". Although the County may determine the delivery schedule for the work and evaluate the quality of the work, the County will not control the means or manner of the Contractor's performance. The Contractor will comply promptly with County requests relating to the emphasis to be placed on aspects of the work. But Contractor is responsible for determining the appropriate means and manner of performing the work.
- B. Contractor warrants that Contractor is not an employee of the County, is not currently employed by the Federal Government, and is not an officer, employee, or agent of the County.
- C. Contractor is responsible for all federal or state taxes applicable to any compensation or payments paid to Contractor under this Contract. Contractor is not eligible for any federal Social Security, unemployment insurance, or workers' compensation benefits from compensation paid to Contractor.
- D. Contractor agrees to immediately provide the County notice of any claim made against Contractor by any third party. Contractor also agrees not to assign to any third party, without the County's written consent, any obligation of the County to indemnify Contractor for any actions under this Contract.

**Insurance Requirements.**

- A. Contractor must obtain and keep in effect Commercial General Liability Insurance in the amounts listed below for its activities and operations. The insurance must include coverage for personal injury, discrimination, and civil rights violation claims. All insurance must name County, its employees, and agents as "ADDITIONAL INSURED". A copy of the certificate of insurance must be filed with the County prior to the time this Contract is executed, providing coverage in the amount of \$1,000,000 per occurrence, \$2,000,000 general aggregate, and \$500,000 for property damage. Coverage must be written on an occurrence form.

- B. Contractor must obtain and keep in effect, automobile insurance on all vehicles used in this Contract to protect Contractor against claims for damages resulting from bodily injury, including wrongful death, and property damage that may arise from the operations of any owned or hired automobiles used by Contractor in connection with the Contract. All insurance must name County, its employees, and agents as "ADDITIONAL INSURED".
- C. Contractor must provide the County with a certification of Workers' Compensation Insurance, with employer's liability in the minimum amount required by Maryland law in effect for each year of this Contract.
- D. All insurance policies must have a minimum 30 days' notice of cancellation. The County must be notified immediately upon cancellation or restriction by the insurance company of any insurance policy referred to in this section.
- E. When insurance coverage is renewed, Contractor must provide new certificates of insurance prior to expiration of current policies.

**Nondiscrimination.** Contractor may not discriminate against any worker, employee, or applicant because of religion, race, sex, age, sexual orientation, physical or mental disability, or perceived disability. Contractor agrees that this provision will be incorporated in all subcontracts related connection to this Contract.

**Ownership of Documents and Materials; Intellectual Property.**

- A. The Contractor agrees that all documents, including reports, drawings, studies, specifications, estimates, maps, photographs, designs, graphics, mechanicals, artwork, or computations prepared for this Contract will be available to the County upon request and become the exclusive property of the County upon termination or completion of the services. The County has the right to use the documents without restriction or without additional compensation to the Contractor. The County will be the owner of the documents for the purposes of copyright, patent, or trademark registration.
- B. If the Contractor obtains, uses, or subcontracts for any intellectual property, then it must provide an assignment to the County of ownership or use of the intellectual property.
- C. The Contractor must indemnify the County from all claims of infringement related to the use of any patented design, *device*, materials, or process, or any trademark or copyright, and must indemnify the County, its officers, agents, and employees with respect to any claim, action, costs, or infringement, for royalties or user fees, arising out of purchase or use of materials, construction, supplies, equipment, or services covered by this Contract.

**Payments.** Payments to the Contractor pursuant to this Contract will be within 30 days of the County's receipt of a proper invoice from the Contractor. If an invoice remains unpaid 45 days after the invoice was received, interest will be charged at a rate of 6% per year.

**Records.** Contractor must maintain all fiscal records relating to this Contract in accordance with generally accepted accounting principles. Contractor must maintain any other records pertinent to this Contract in a manner that clearly documents Contractor's performance. Contractor agrees that the County and its agents can all records of the Contractor that are relevant to this Contract. All relevant records must be retained by Contractor and kept accessible for at least three years after final payment, termination of this Contract, or until the conclusion of any audit, controversy, or litigation related to this Contract, whichever is later. All subcontracts must comply with these provisions.

**Remedies.**

- A. **Corrections of errors, defect and omissions.** Contractor agrees to perform work necessary to correct errors, defects, and omissions in the services required under this Contract, without undue delays and without cost to the County. The County's acceptance of the work will not relieve the Contractor of the responsibility of subsequent corrections of errors.
- B. **Set Off.** The County may deduct from any amounts payable to the Contractor any back-charges, penalties, or damages sustained by the County, its agents, or employees caused by Contractor's breach. Contractor will not be relieved of liability for any costs caused by a failure to satisfactorily perform the services.
- C. **Cumulative.** These rights and remedies of County and Contractor are cumulative and without waiver of any other rights or remedies.

**Responsibility of Contractor.**

- A. The Contractor must perform the services with the standard of care, skill, and diligence normally provided by a Contractor in the performance of services similar the services.
- B. Notwithstanding any review, approval, acceptance, or payment for the services by the County, the Contractor will be responsible for the accuracy of any work, design, drawings, specifications, and materials furnished by the Contractor under this Contract.
- C. If the Contractor fails to perform the services in conformance with the standard set forth in subparagraph A above, then it must, if required by the County, perform at its own expense any service necessary for the correction of any deficiencies or damages resulting from the Contractor's failure. This obligation is in addition to any other remedy available to the County.

**Severability/Waiver.** If a court finds any term of this Contract to be invalid, the validity of the remaining terms will not be affected. The remaining terms will be construed as if the Contract did not contain the invalid term. The failure of either party to enforce any term of this Contract is not a waiver by that party.

**Subcontracting or Assignment.** The Contractor may not subcontract or assign any part of the Contract without the prior written consent of the County. The County has the right to withhold consent for any reason the County deems appropriate.

**Substance Abuse and Drug Testing.** Contractors and its employees are subject to the County's policy on substance abuse and drug testing for the use, possession, or sale of drugs or alcohol while performing County business or while in a County facility. Violation or refusal to cooperate may result in a ban from County facilities or from participating in County operations.

**Survival.** The terms, conditions, representations, and all warranties contained in this Contract survive the termination or expiration of this Contract.

**Termination.** If the Contractor violates any provision of the Contract, the County may terminate the Contract by written notice to the Contractor. The notice will specify the cause for termination. All finished or unfinished work provided by the Contractor will, at the County's option, become the County's property. The County will pay the Contractor fair compensation for satisfactory performance that occurred before termination less the amount of damages caused by the Contractor's breach. If the damages are more than the compensation payable to the Contractor, the Contractor will remain liable after termination and the County can affirmatively collect damages.

**Termination of Contract for Convenience.** Upon written notice, the County may terminate the Contract, in whole or in part, when the County determines termination is in the County's best interest. Termination for convenience is effective on the date specified in the County's written notice. The County will pay for reasonable costs allocable to the Contract for work or costs incurred by the Contractor up to the date of termination. But the Contractor will not be reimbursed for any anticipatory profits that have not been earned up to the date of termination.

**Termination of Multi-year Contract.** If funds are not available for any fiscal period of this Contract after the first fiscal period, then this Contract will be cancelled automatically as of the beginning of unfunded fiscal period. The effect of termination of the Contract will be to discharge both the Contractor and the County from future performance of the Contract but not from their rights and obligations existing at the time of termination. The Contractor will be reimbursed for the reasonable value of any nonrecurring costs incurred but not amortized in the price of the Contract. The County will notify the Contractor if it has knowledge that funds are not available for the continuation of this Contract for a fiscal period beyond the first period.

**Third Party Beneficiaries.** The County and Contractor are the only parties to this Contract and are the only parties entitled to enforce its terms. Nothing in this Contract gives any benefit or right to third persons unless individually identified by name and expressly described as intended beneficiaries of the terms of this Contract.

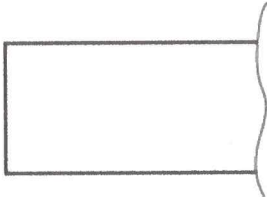

**Time is of the essence.** Time is of the essence in Contractor's performance of each and every obligation and duty under this Contract.

**Use of County Facilities.** Contractor and its employees or agents have the right to use only those facilities of the County that are necessary to perform the services under this Contract. County has no responsibility for the loss, theft, disappearance of or damage to equipment, tools, materials, supplies, or other personal property of Contractor or its employees, subcontractors, or agents which may be stored on County premises.

**Whole Contract.** This Contract constitutes the complete and exclusive statement of the Contract between the parties relevant to the purpose described and supersedes all prior agreements or proposals, oral or written, and all other communication between the parties relating to the subject matter of this Contract.

# FINE FISSURED: 1729










EDGE	DIMENSIONS	ACOUSTICS
 <p>Square Lay-In 15/16 in</p>	 <p>24 in x 48 in x 5/8 in</p>	<p>0.55 NRC 35 CAC</p>

**NOTE: Shape drawings are not to scale.**

FINE FISSURED | 1729

## PERFORMANCE

- Get total noise control and floor plan versatility with TOTAL ACOUSTICS ceiling panels: NRC + CAC = TOTAL ACOUSTICS Performance
- FINE FISSURED panels are part of the SUSTAIN portfolio, and meet the most stringent industry sustainability compliance standards today
- CLEANASSURE family of products –includes disinfectable panels, suspension systems, and trim
- Mold- and mildew-resistant surface
- Economical
- Meets ANSI S12.60 Classroom Guidelines: Items 1713, 1714, 1810, 1811
- Four new colors to complement interiors
- Non-directional visual reduces scrap and installation time
- 30-Year Limited System Warranty against visible sag, mold, and mildew
- 10-Year replacement panel available for items 1732, 1734

	<b>ACOUSTICS</b>	
	Sound Absorption (NRC)	0.55
	Sound Blocking (CAC)	35
	<b>FIRE</b>	
	Fire Performance	Class A (UL)
	Light Reflectance	82%
	Sag/Humidity Resistance	HumiGuard Plus
	Insulation Value	R Factor-BTU: 1.50 BTU R Factor-Watts: 0.26 m2 K/W
	BioBlock	Yes
	Disinfectability	 Fog
	Special Applications	Library Music / Language Room


<b>Material</b>	Mineral Fiber
<b>Texture</b>	Medium
<b>Surface Finish</b>	Factory applied latex paint
<b>Shape</b>	Rectangle
<b>Weight</b>	0.70 PF2
<b>Sq Ft (Sq Ft / Carton)</b>	96
<b>Pieces / Carton</b>	12
<b>ASTM Classification</b>	Type: III, Form: 2, Pattern: C E
<b>Installation Method</b>	Grid (Suspended)

## SUSTAINABILITY PROFILE

RECYCLED CONTENT  
UP TO

**41%**

RECYCLABLE  
THROUGH  
ARMSTRONG  
RECYCLING  
PROGRAM



LEARN MORE

SUSTAINABLE  
PRODUCT SEARCH  
TOOL



green genie  
SUSTAINABLE PRODUCT SEARCH TOOL

GET STARTED